

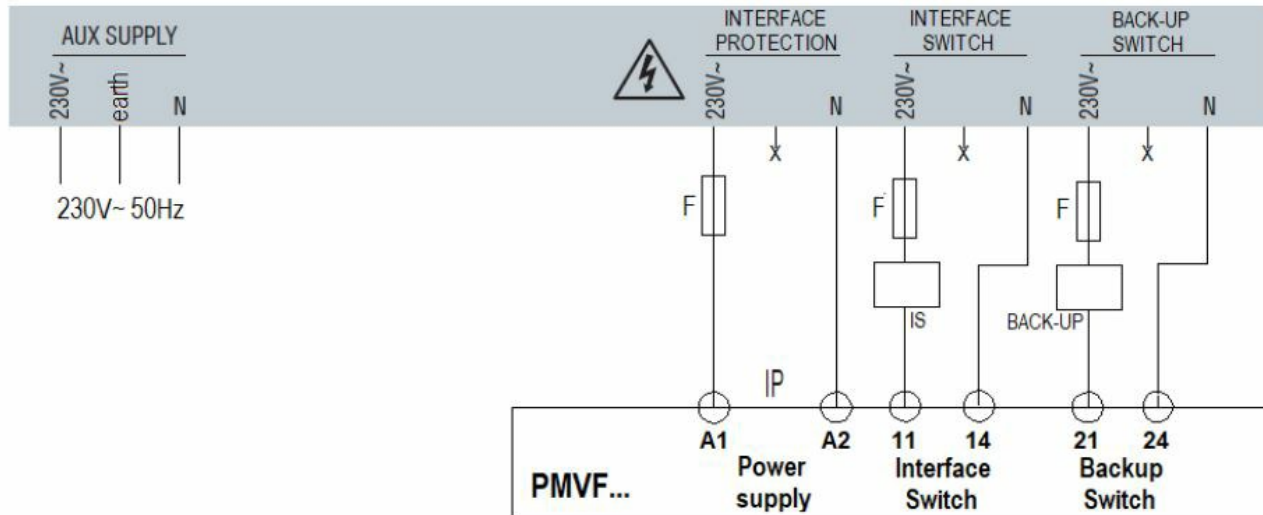


Product designation	Backup power supply for IP units		
Product type designation	PMVFUPS02		
<b>General characteristics</b>			
Description	Backup power supply without interruption, full static technology		
Type of system	Single-phase		
<b>Power supply</b>			
Auxiliary supply voltage $U_s$	230VAC		
Operating voltage range	100...260VAC		
Rated frequency	Hz	50	
Operational frequency	min	Hz	40
	max	Hz	65
Protection	Fuse 5A (5x20)		
<b>Power outputs</b>			
Voltage	230VAC		
Frequency	Hz	50	
Protection	Fuse 5A(5x20)		
Power	VA	650 each outputs	
Available energy	Ws	645	
Time to store energy	60s		
<b>Connections</b>			
Terminals type	Fixed		
Tightening torque for terminals	max	Nm	0.5
	max	Ibin	4.5
Conductor cross section	AWG/Kcmil	min	AWG 24
		Max	AWG 12
	IEC	min	mm <sup>2</sup> 0.2
		Max	mm <sup>2</sup> 2.5
<b>Ambient conditions</b>			
Temperature	Operating temperature	min	°C -5
		max	°C +55
<b>Housing</b>			
Execution (n° of modules)	9		
Mounting	DIN rail EN 50022		

IEC degree of protection		IP20
Dimensions (W x H x D)	mm	157.5 x 90 x 70
Weight	g	430

Dimensions

Wiring diagrams



Certifications and compliance

Compliance

IEC/EN/BS 61010-1

ETIM classification

ETIM 8.0

EC002540 - DC-power supply